



# DEKBOARD<sup>®</sup>

## Trade Range Guide

Extend your outdoor living space with our stylish, practical PVC decking & balustrade system

## DEKBOARD

With DekBoard, you can create a clean, safe and secure outdoor living area for rest, play and getting together.

The DekBoard system is made from fully recyclable PVC, manufactured in the UK and allows you to extend your home seamlessly into a beautiful outdoor living space.

Ideal for garden and patio areas, DekBoard is made to look and feel like high-quality timber, without the need for the time consuming and costly maintenance that timber always needs.

Our stylish decking system will increase the usable area in and around your home, allowing you to enjoy the outdoors. and still feel safe, clean and in control of your own space.

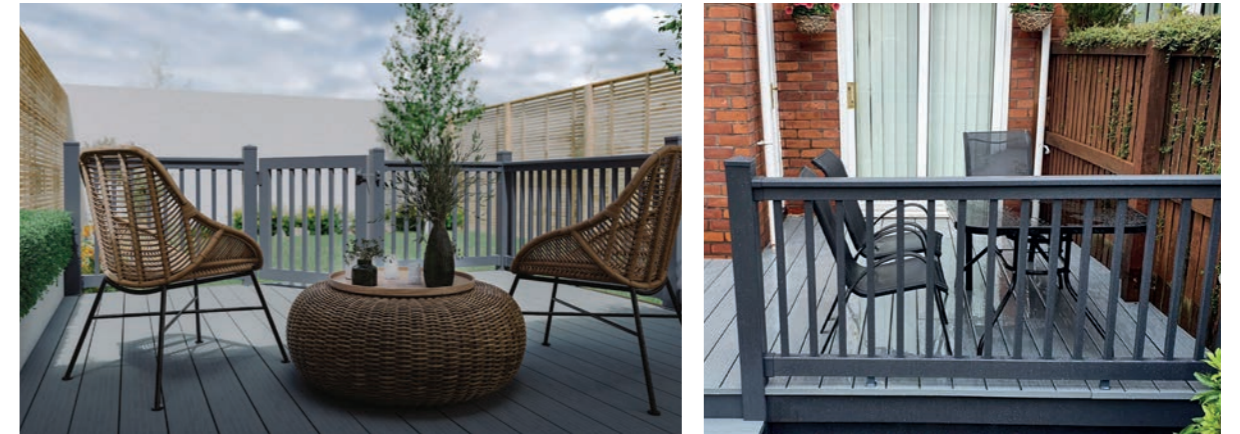
### CONTENTS:

Decking	4
Decking - Accessories	5
Fascia / Skirting	6
Balustrade Kits	7
Post Sleeve Kits	8
Gate Kits	9
Post to Sub-frame Fixing Kit	10
Decking Fixings & Accessories	11
Maintenance and Aftercare	12
Project Planner	14-15

All instructions and suggestions in this document are given for guidance only and the installer should satisfy themselves that their planned deck will be safe given their individual circumstances and requirements.

Warranty available upon request. Please contact us for more details.

## The DekBoard System



Transform your home's outdoor living space with a bespoke design to meet your needs



Robust



Slip Resistant



Low Maintenance



100% Recyclable



Long Life



Product Testing



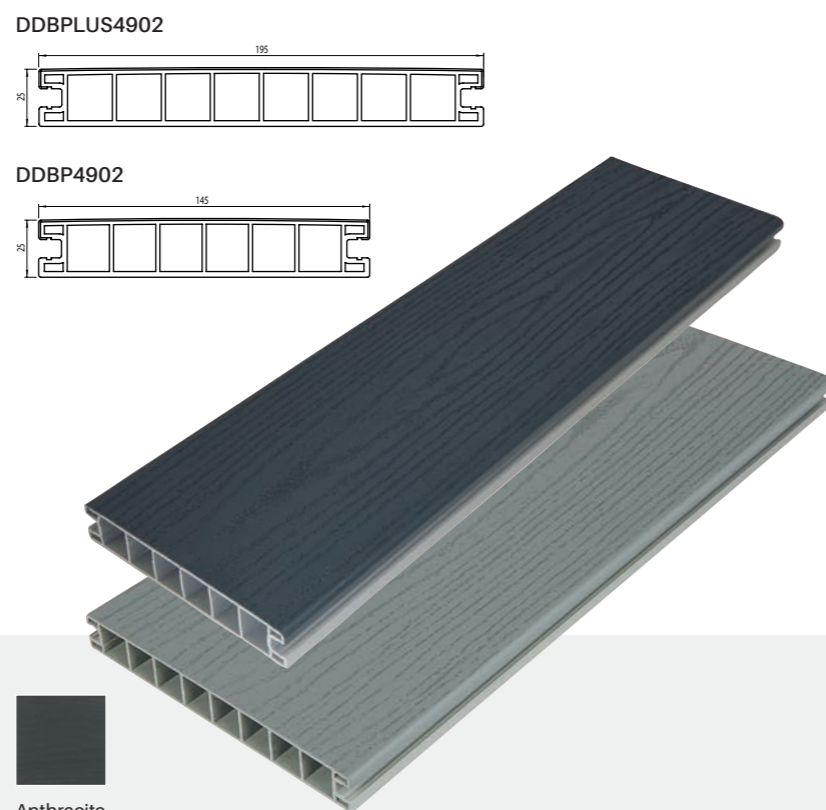
Rot & Split Resistant



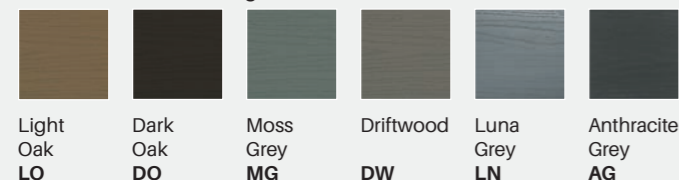
Splinter Free

## Decking

- A great range of practical PVC decking boards with a stylish, traditional woodgrain effect pattern.
- Our boards are designed to be tough and durable, allowing you to enjoy your garden with confidence.
- The board's satin finish is embossed for good slip resistance and the surface is easy to clean, giving you a stress free, low maintenance outdoor area to enjoy.
- DekBoard has a great range of contemporary and neutral colours that go well with any settings and truly complement our balustrade range.

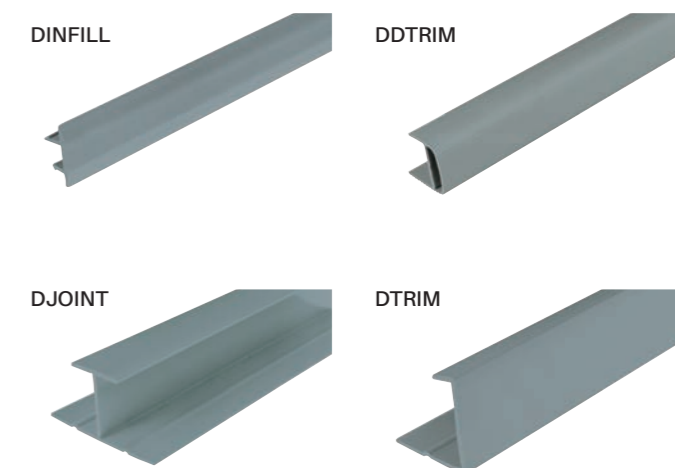


Available in the following colours:

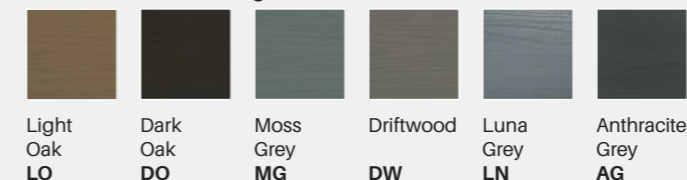


## Decking - Accessories

- Finishing trims for the decking boards.
- **Infill Trim** - This trim clips neatly into the exposed outer edge of the board and can be used along the appropriate edge of the deck or along the front edge of the step.
- **D Trim** - A great looking, heavy duty profile that is used to cover exposed ends of the board around the edge of the deck. This will provide an all-round neater finish for DIYers.
- **D Joint** - D Joint is used to join boards linear or when boards meet at an angle to each other.
- **D Edge Trim** - D Edge Trim can be used as an alternative to DTRIM or step tread ends.



Available in the following colours:



**TIP**  
Install trims with short edge to top

\*MTO and MOQs.

Code	Description	Pack Qty	Light Oak	Dark Oak	Moss Grey	Driftwood	Luna Grey	Anthracite Grey
			LO	DO	MG	DW	LN	AG
DDBP4902	145mm x 25mm x 4.902m Decking Plank	1 x 4.902m	✓	✓	✓	✓	✓	✓
DDBPLUS4902	195mm x 25mm x 4.902m Decking Plank	1 x 4.902m					✓	

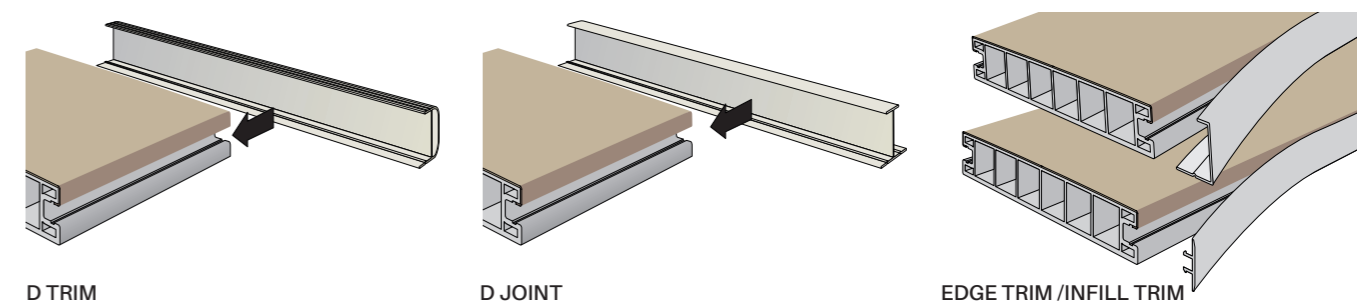
Code	Description	Pack Qty	Light Oak	Dark Oak	Moss Grey	Driftwood	Luna Grey	Anthracite Grey
			LO	DO	MG	DW	LN	AG
DINFILL3000	Infill Trim - 3.0m	10 x 3m	✓*	✓*	✓	✓	✓	✓
DDTRIM4902	D Trim - 4.902m	10 x 4.902m	✓	✓	✓	✓	✓	✓
DJOINT4902	H Section Joint Trim - 4.902m	10 x 4.902m	✓*	✓*	✓*	✓*	✓*	✓
DEDGE4902	Edge Trim - 4.902m	10 x 4.902m	✓*	✓*	✓	✓	✓	✓

\*MTO and MOQs



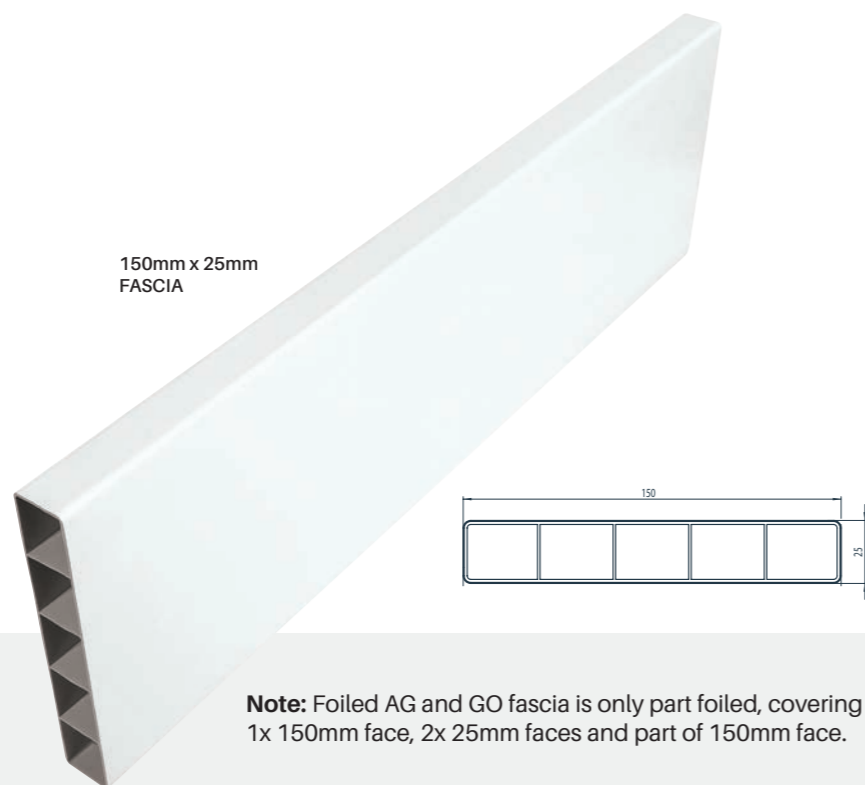
**IMPORTANT!**

A deck height of up to 300mm is considered a 'Permitted Development' where there is no requirement for Planning Permission. Decks above 300mm require Planning Permission.

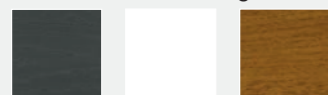


## Fascia / Skirting

- Fascia is designed to be used to cover exposed deck timbers at ground level.



Available in the following colours:



Anthracite Grey **AG**    White **W**    Golden Oak **GO**

**Note:** Foiled AG and GO fascia is only part foiled, covering 1x 150mm face, 2x 25mm faces and part of 150mm face.

Code	Description	Pack Qty	Anthracite Grey AG	White W	Golden Oak GO
DPICK64876	150mm x 25mm Fascia or Skirt	2 x 4.876m		✓	
DPICKPF64876	150mm x 25mm Fascia or Skirt Foiled 3 faces	2 x 4.876m	✓		✓

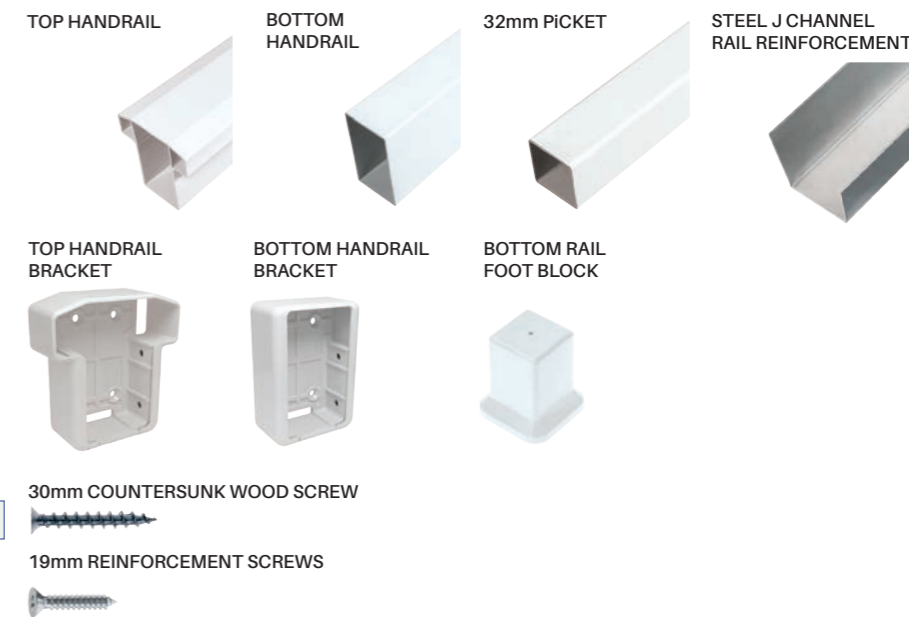


### NOTE

It is essential that a minimum 10mm continuous ventilation gap is provided underneath the base of the deck, providing thorough ventilation.

## Balustrade Kits

- Balustrade kits are designed to be used in conjunction with post sleeve kits.
- A balustrade kit contains all the elements required for a 1828mm (6ft) span.
- These kits are then fastened to post sleeve kits; see post sleeve kits.
- Balustrade routed for square picket orientation.



Available in the following colours:



Anthracite Grey **AG**    White **W**    Golden Oak **GO**

Code	Description	Pack Qty	Anthracite Grey AG	White W	Golden Oak GO
DKHS1828	<b>Balustrade Kit - 1828mm (6ft)</b> Items included in the kit:- 1 x 1828mm Top Handrail 1 x 1828mm Bottom rail 2 x Top Handrail Brackets 2 x Bottom Handrail Brackets 2 x 1828mm Steel J Channel Rail Reinforcement 1 x Bottom Rail Foot Block 14 x 945mm x 32mm Pickets 16 x Fixing Kit 30mm Countersunk Wood Screw 13 x 4.8mm x 19mm Reinforcement Screws	1ea	✓	✓	✓

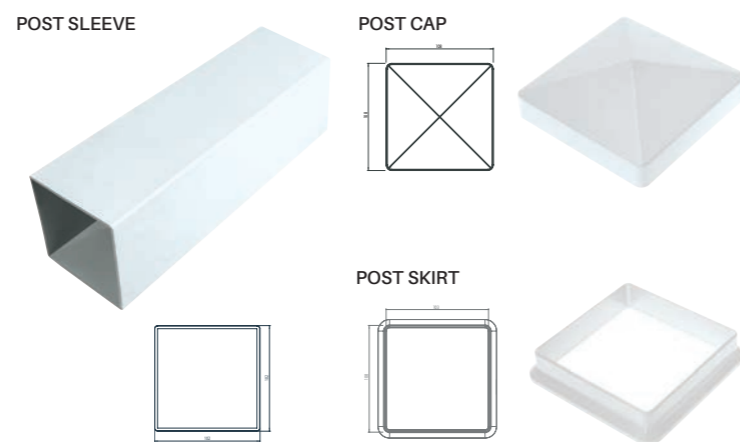
### IMPORTANT!

The Balustrade Kits have a balustrade height of 1m and the balustrade is suitable for decks with a deck surface of up to 300mm above the ground.

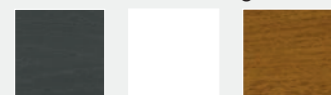
A deck height of up to 300mm is considered a 'Permitted Development' where there is no requirement for Planning Permission. Decks above 300mm required Planning Permission and the Balustrade Kits are not designed to suit this application.

## Post Sleeve Kits

- A full height timber post will be required as re-inforcement for the post sleeve kit.



Available in the following colours:



Anthracite Grey **AG**    White **W**    Golden Oak **GO**

Code	Description	Pack Qty	Anthracite Grey <b>AG</b>	White <b>W</b>	Golden Oak <b>GO</b>
DKP001	<b>Single Post Sleeve Kit</b> - Items included in the kit:- 1 x 1828mm - 102mm x 102mm Post Sleeve 1 x Post Cap 1 x Post Skirt	1ea	✓	✓	✓

Code	Description	Pack Qty	Anthracite Grey <b>AG</b>	White <b>W</b>	Golden Oak <b>GO</b>
DKP002	<b>Double Post Sleeve Kit</b> - Items included in the kit:- 2 x 1828mm - 102mm x 102mm Post Sleeve 2 x Post Cap 2 x Post Skirt	1ea	✓	✓	✓

## Gate Kits

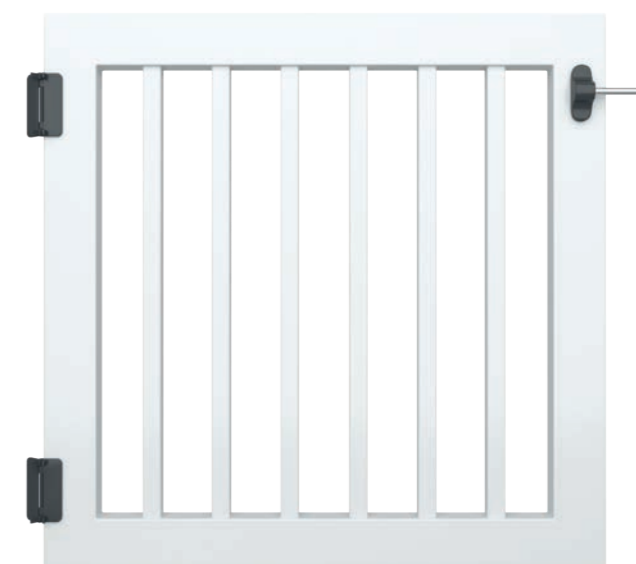
Our standard gate is 960mm wide and suitable for a 1m opening between Posts.

The 40mm gap allows for the fixing of hardware.

To install:

- Leave 40mm for latch and hinges.
- Install gate top level with balustrade top.
- Hinges are positioned inside rail brackets.

DKG002



Available in the following colours:



Anthracite Grey **AG**    White **W**    Golden Oak **GO**

Code	Description	Pack Qty	Anthracite Grey <b>AG</b>	White <b>W</b>	Golden Oak <b>GO</b>
DKG002	<b>Gate Kit</b> - Items included in the kit:- Standard Gate 960mm Wide x 950mm High Self Close Hinge Black - Pack of 2 Latch & Lock Black	1	✓	✓	✓

Please contact us to enquire about alternative sizes.

Gate pickets are routed square



Square Pickets



Self Close Hinge Black

Pair of self-closing hinges to ensure that the gate always returns to a closed position. Super strong engineering polymer, stainless steel construction and adjustable tension.



Latch & Lock Black

Single side secure, key-lockable latch. Adjusts horizontally and vertically to account for any gate movement.



## Post to Sub-frame Fixing Kit

- Post to sub-frame fixing kits are available to help secure the vertical deck posts to the sub-frame.
- This in turn gives a secure base to fix the balustrade kits.

SUB-FRAME BRACKET



COACH BOLT



PAN HEAD SCREW



## Decking Fixings & Accessories

- Clips and screw to fit decking to the sub-frame.
- Touch up pens allow rectification to foiled components



DBPEN

DTCLIP250



DWSCREW30



Available in the following colours:



Stainless Steel

Available in the following colours:



Anthracite Grey  
AG



White  
W

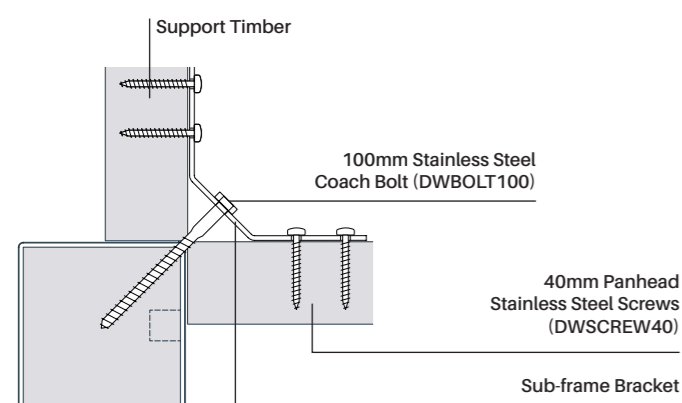


Golden Oak  
GO



Stainless Steel

Code	Description	Pack Qty	Stainless Steel
DKP001	<b>Post to Subframe Fixing Kit</b> - Items included in the kit:- 4 x Sub Frame Bracket - Stainless Steel 8 x 100mm Coach Bolts - Stainless Steel 32 x 40mm Pan Head Wood Screws - Stainless Steel	1ea	✓



Fix bracket to post/post sleeve & sub-frame

Code	Description	Pack Qty	Stainless Steel
DTCLIP250	Deck T Clip - 250 Stainless Steel	250 box	✓
	30mm Deck clip screw - Stainless Steel	1000 box	✓

Code	Description	Pack Qty	Anthracite Grey	Golden Oak
DBPEN	Touch Up Pen	1ea	✓	✓

## Maintenance and Aftercare

To keep your low maintenance DekBoard product in top condition, we recommend cleaning your decking & balustrade with hot soapy water at least twice a year.

### Important Points:

- Ensure adequate ventilation underneath your decking. Keep area beneath your decking free from obstruction.
- Ensure ventilation around the hot tub of a 25mm gap is free from obstruction.
- Jet washers on a low pressure setting can be used for the decking boards only.
- **DO NOT USE JET WASHERS ON FOILED BALUSTRADE.**

### Cleaning & Care:

- Clean your balustrade with a cleaning solution of warm soapy water using a cloth or sponge.
- Clean your decking with a cleaning solution of warm soapy water using a cloth, sponge or soft bristle brush.
- **DO NOT** place ANY hot surfaces or use BBQs in the vicinity of the decking.
- **DO NOT** use any glass/PVC cleaning products or any forms of bleach or solvent.
- **DO NOT** scrub your decking or balustrade with any abrasive products, such as scourers, sandpaper, stiff or wire brushes etc.

### Additional Tips:

- Some brands of sun cream can permanently stain foiled balustrade finishes.
- **DO NOT** place rubber mats or rubber backed mats anywhere on the decking area.

Please note, to ensure warranty remains intact please ensure above Maintenance and Aftercare Guide lines are adhered to.



## DEKBOARD

### Plan your deck

Use this handy space to plan a deck that suits your requirements.

Start by drawing the area you'd like to deck out and then work out the number of boards required.

Our board width is 145mm. Each board has a 5mm gap between it and the next board (this gap is created by the decking clips), so the cover width is 150mm. Therefore, each board covers 0.735 of a square metre (ie approximately  $\frac{3}{4}$  sqm).

To estimate the number of boards that are required, just calculate the number of square metres your deck will cover, then divide that number by 0.735.

### Example:

A deck of 5m x 4m has an area of 20sqm.

The number of boards needed is  $20 \div 0.735 = 27.2$  boards. You should also allow 12 to 14 decking clips per decking board.

**Important** - This calculation is an approximate guide. Very few decks are nicely rectangular and so you'll have to allow for odd areas that may require you to cut the boards in ways that create more wastage than this simple calculation allows for. Therefore you should allow for at least 10% wastage. In some circumstances it may be helpful to tailor the size of your deck to make the most of each board length.

Remember that the following basic principles of setting out the boards may affect the number of boards you'll need to use:

Run the boards across the most common line of tread, not with it.

Separate all joints on adjacent boards by at least 2 bearers.

All deck pieces should be long enough to be secured to at least 3 bearers.







Robust

### Robust

- Strong construction
- Wear & impact resistant
- Will not warp like timber
- Low sound levels



Slip Resistant

### Safety

- Low slip surface in wet or dry conditions
- Will not crack or splinter
- Will carry high loads
- No sharp edges or splinters



Low Maintenance

### Low Maintenance

- Easily cleaned
- Unlike timber it won't promote mould growth
- Doesn't need treating, varnishing or painting



100% Recyclable

### Environmental

- 100% Recyclable
- No paints or preservatives required
- Manufactured under ISO14001 Environmental Management Certification



Long Life

### Long Life

- Will not rot
- Does not require maintenance
- 10 year performance guarantee
- Outlasts timber



Product Testing

### Product Testing

- Fire Classification - BS EN 13501-1 : 2008
- Slip Resistance: BS7976 - 2
- Load Span: ref BS EN 1991-1-1 : 2002

# DEKBOARD®

Billet Lane  
 Normanby Enterprise Park  
 Normanby Road  
 Scunthorpe  
 North Lincolnshire  
 DN15 9YH

01724 848500  
[sales@dekboard.co.uk](mailto:sales@dekboard.co.uk)



[www.dekboard.co.uk](http://www.dekboard.co.uk)

10/23

Due to the limitations of the printing process the swatches and photography in this brochure should be taken as a guide and not an accurate representation of the actual product colour.