



DEKBOARD®

decking and balustrade systems

WOODGRAIN SOLID COMPOSITE DECKING BOARDS

Quick Installation Instructions

These instructions are designed as a quick and simple guide to using DekBoard, please ensure that you have also read and understood the Technical Data (available to download from our website) in full before commencing any construction projects.

Contact us today for a free quote or for more information:
Tel: 01978 667 840 | Email: composite@dekboard.co.uk

Substructure: Normally C16 or C24 grade 6" x 2" treated softwood.

Maximum Joist Spacing (centre to centre): Residential use: Must not exceed 455mm (330mm if at 45° angle). Please refer to the Load Span Table available on the website

Airflow Requirements: Always allow for adequate ventilation under the deck, use larger gaps and air vents if the deck is to be sunken or enclosed (contact us for more detail).

Board Spacing: Minimum 5mm (increase this to 10mm for hot, humid, damp or poorly ventilated areas).

Butt Joint Gaps: 5mm in between boards and where a board meets a wall. If area is often hot, humid, damp or poorly ventilated, a 10mm gap to the wall must be left.

Fixing Method:

Only use DekBoard approved 53mm stainless steel composite deck screws when fixing to either DekBoard WPC bearers or a timber subframe. Screw holes must be countersunk with a Smart-Bit® (available from DekBoard). Fit decking over at least 3 joists with 2 screws at every joist point and decking must be screwed down 20-40mm in from the cut end of the board.

Drill & Countersink:

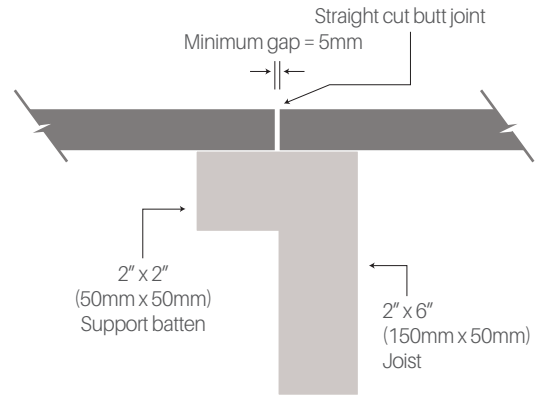
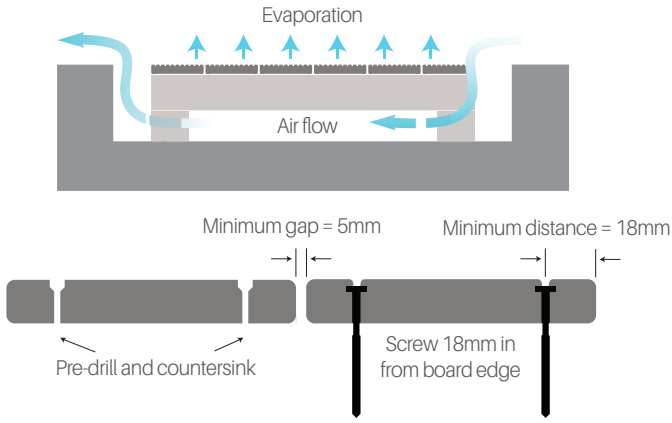
DekBoard can supply a Smart-Bit® that will pre-drill and countersink in one quick operation, designed specifically for composite decking.

Fascia Boards: When attaching fascia boards to the side of a deck, it is important to make sure they are screwed down every 200mm (with 2 screws) along their length. Please allow the same spacing between fascia boards as for decking boards - both for board spacing and butt joint gaps.

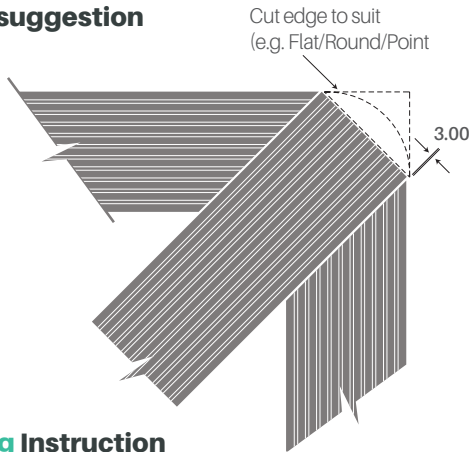
DO NOT:

- Lay the boards directly onto a non self-draining surface without consulting with our technical department first.
- Use hidden fixings or clips.
- Butt boards up end to end closer than the specified amount.

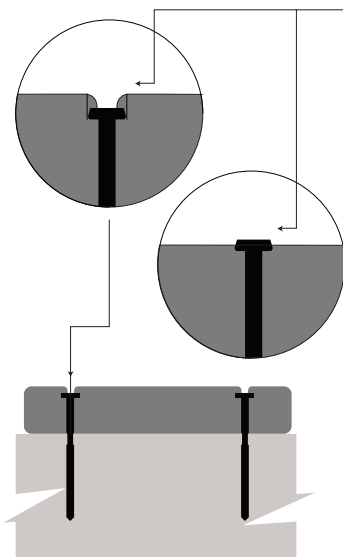
DekBoard Woodgrain Composite Decking



Mitre detail suggestion



Screw Fitting Instruction



Method of fitment:

1- Timber substructure (63mm Screws):

Pre-drill deck board with Smart-Bit®.

Composite substructure (53mm Screws):

Pre-drill with a 3.5mm dia bit the full depth of the screw

Steel substructure (38mm Screws):

Pre-drill with a 3.5mm dia HSS bit,

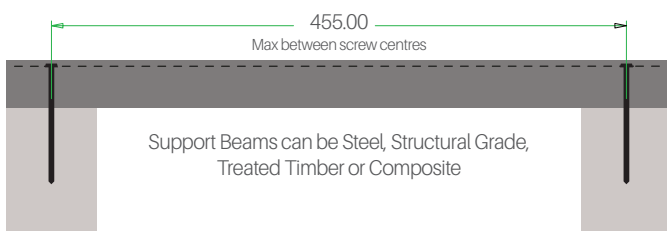
Pilot holes to be drilled 18mm in from edges of board

2- Remove swarf residue (a 2-3mm slice of deck board snapped in half to give a rough edge makes a good swarf removal tool)

3- Preferably use an impact driver as this prevents over-screwing

21MM WOODGRAIN DECK BOARD

STRENGTH CHARACTERISTICS, AND SPAN TABLE CAN BE FOUND ON OUR WEBSITE



SUPPORT SPACING IS BASED UPON SPECIFIED LOADINGS FOR RESIDENTIAL DECKS, BALCONIES AND WALKWAYS AS PER BS EN 1991-1-1:2002

'ACTIONS ON STRUCTURES - IMPOSED LOAD FOR BUILDINGS'

DEKBOARD®

Normanby Enterprise Park
Billet Lane
Scunthorpe
North Lincolnshire
DN15 9YH

01978 667 840

composite@dekboard.co.uk

dekboard.co.uk



Due to the limitations of the printing process the swatches and photography in this leaflet should be taken as a guide and not an accurate representation of the actual product colour.